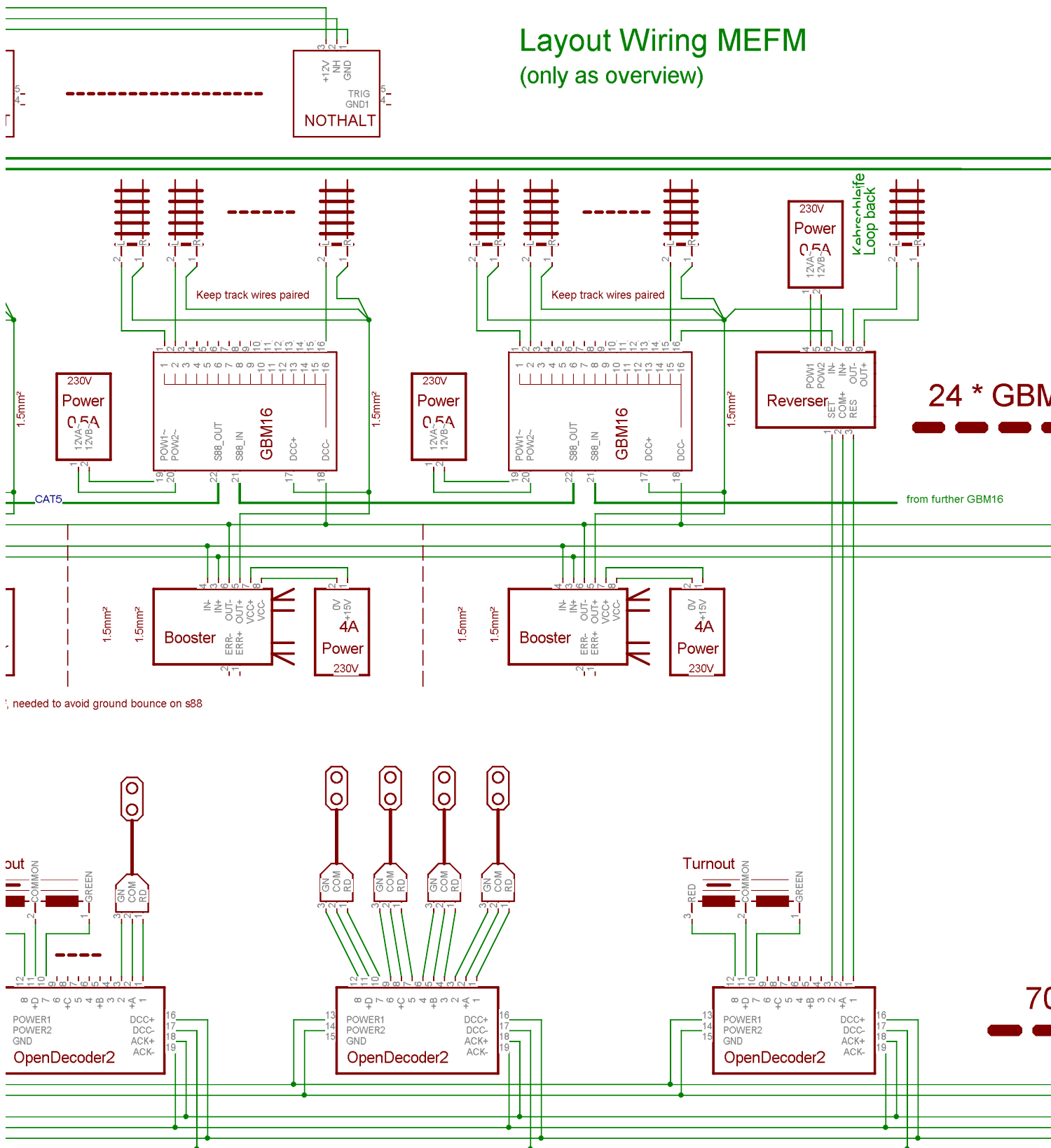


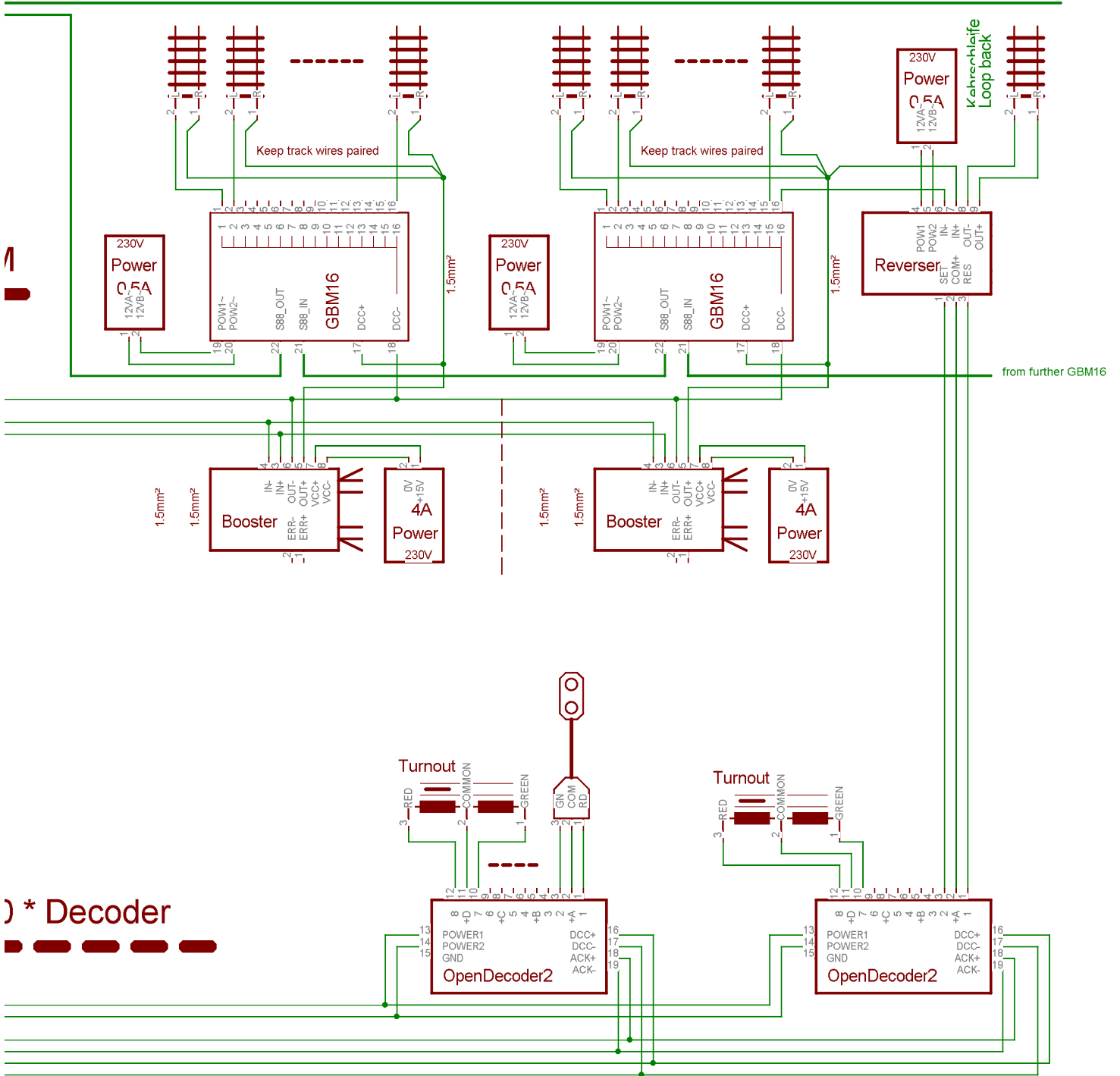
Layout Wiring MEFM (only as overview)



24 * GBM

; needed to avoid ground bounce on s88

70



)* Decoder