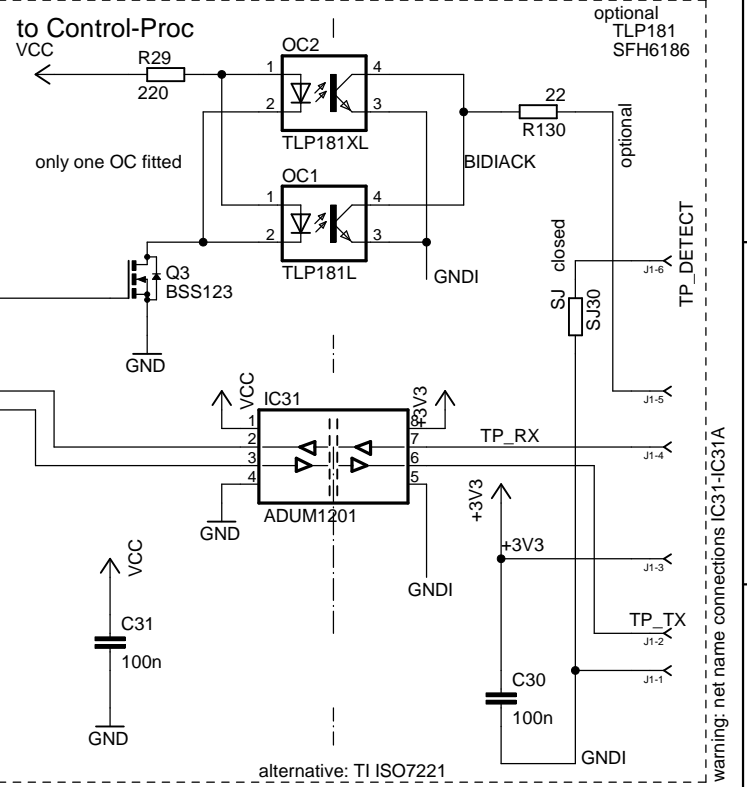
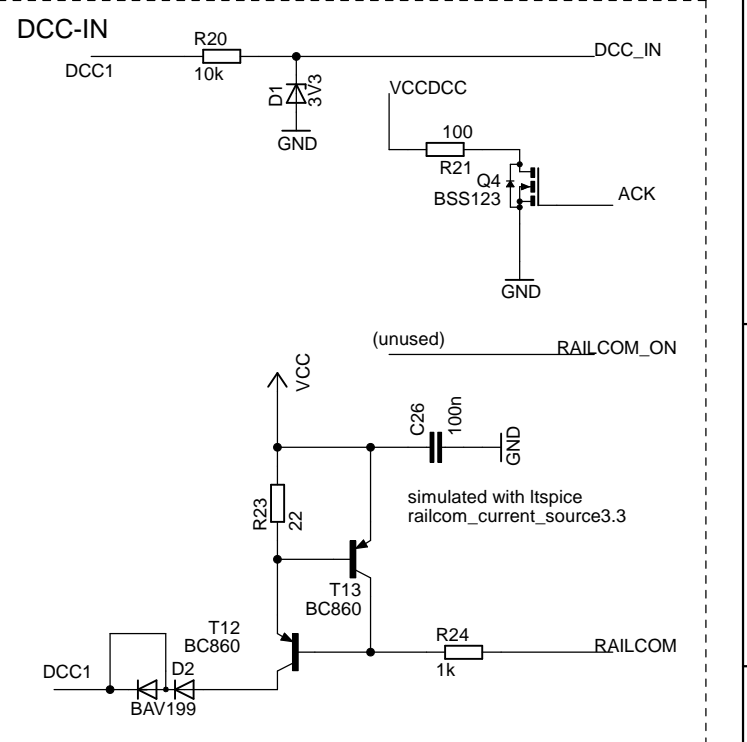
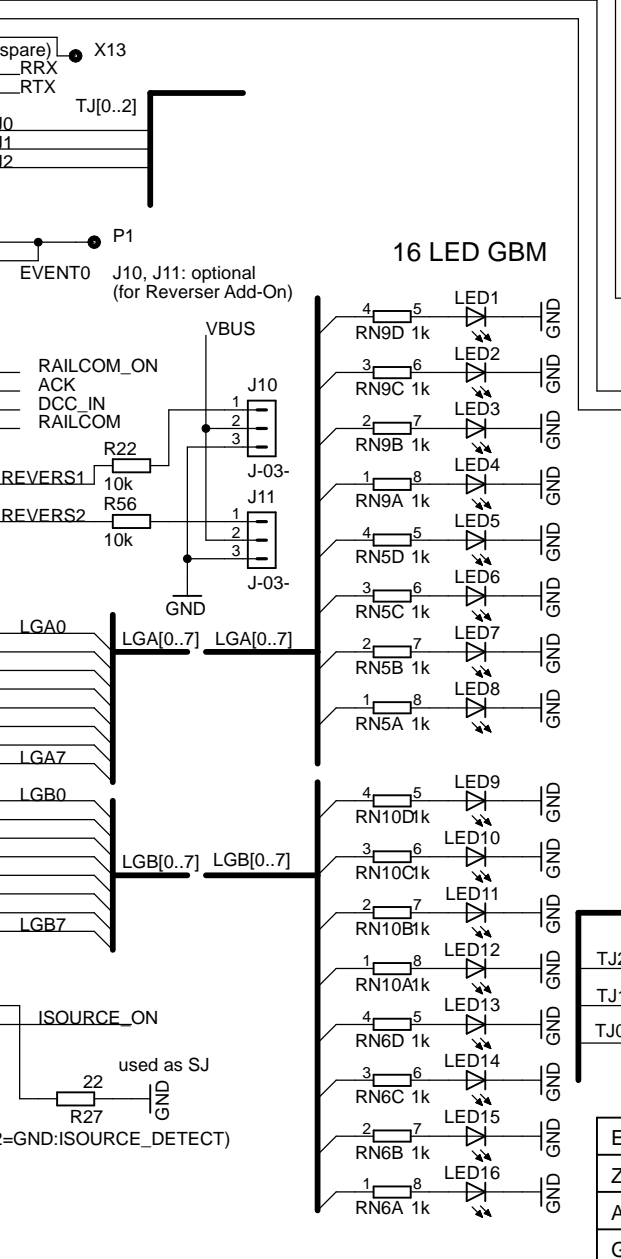
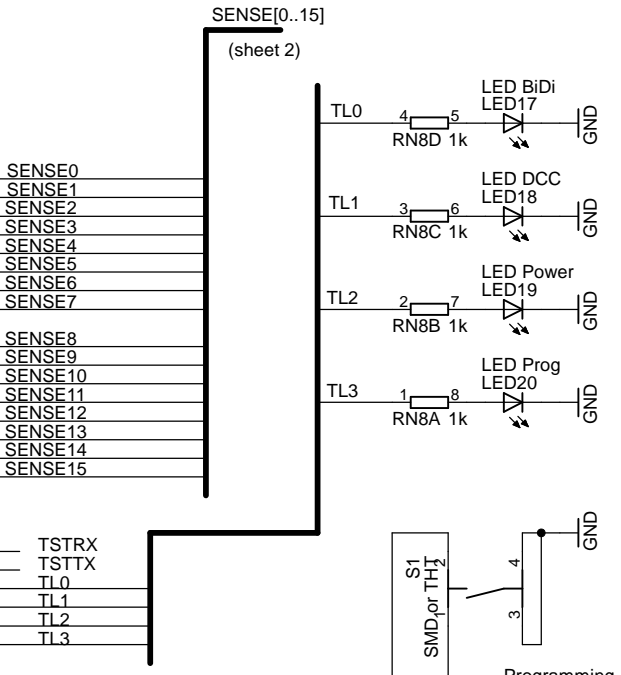
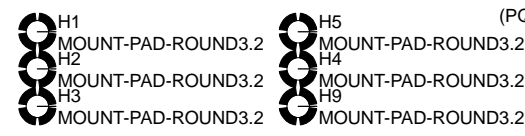
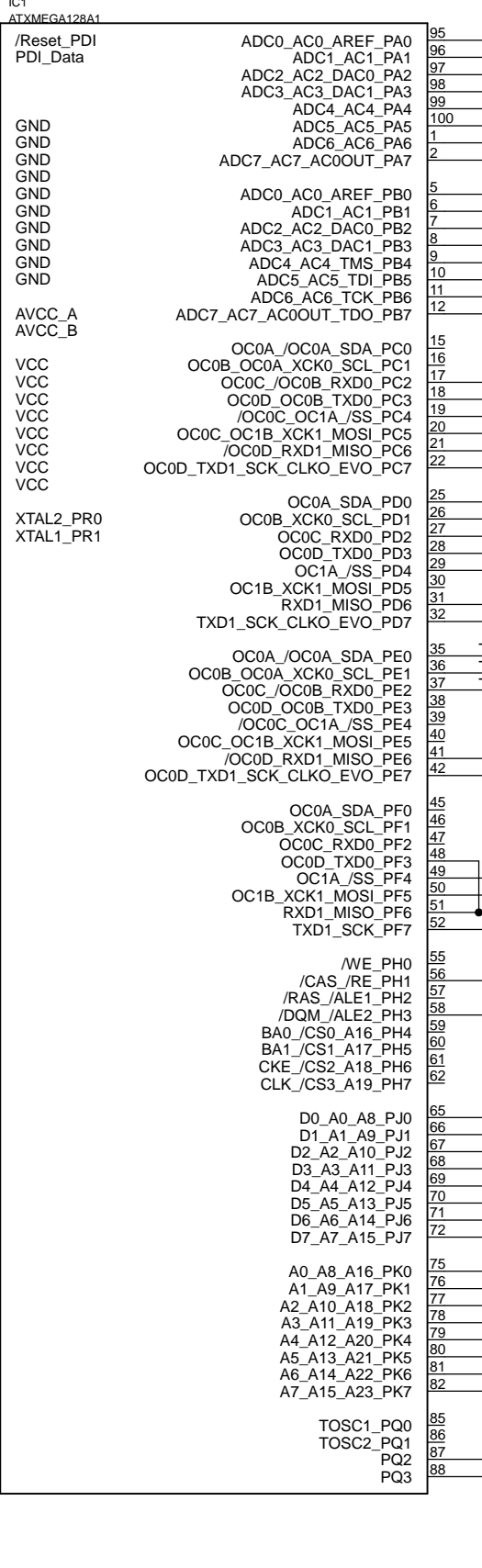
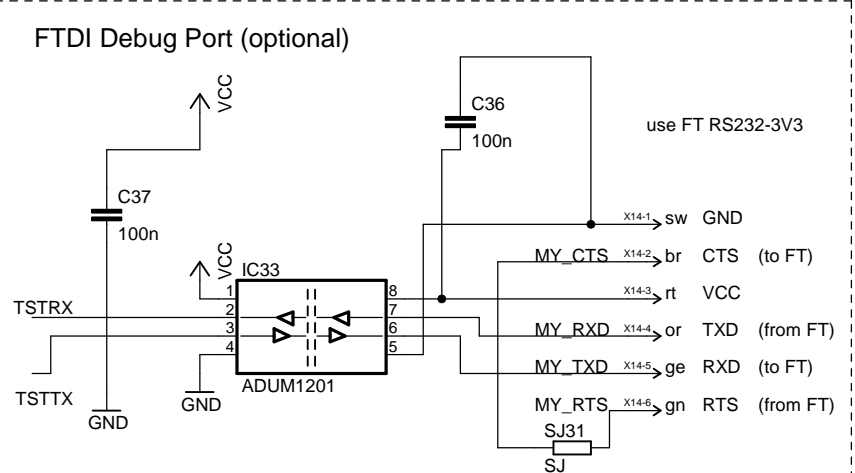
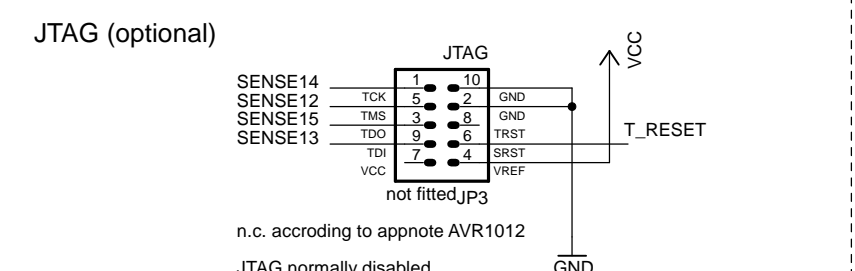
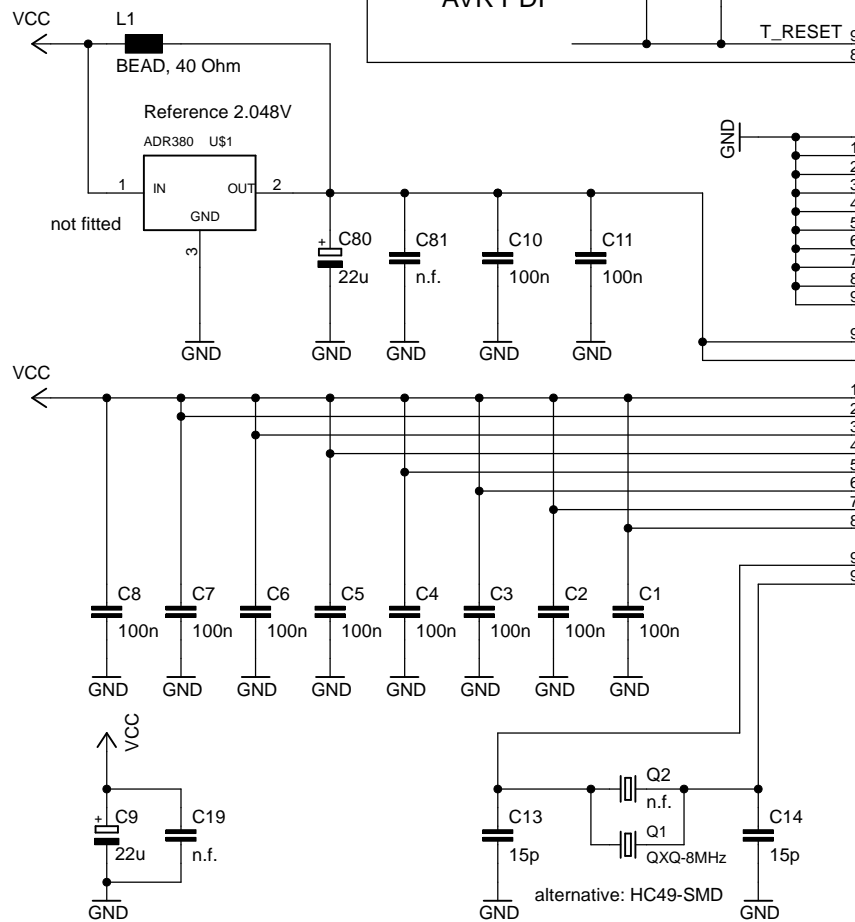


Track_Proc

! Disconnect DCC first !

fitted; DCC is floating therefore a pullup helps in stability



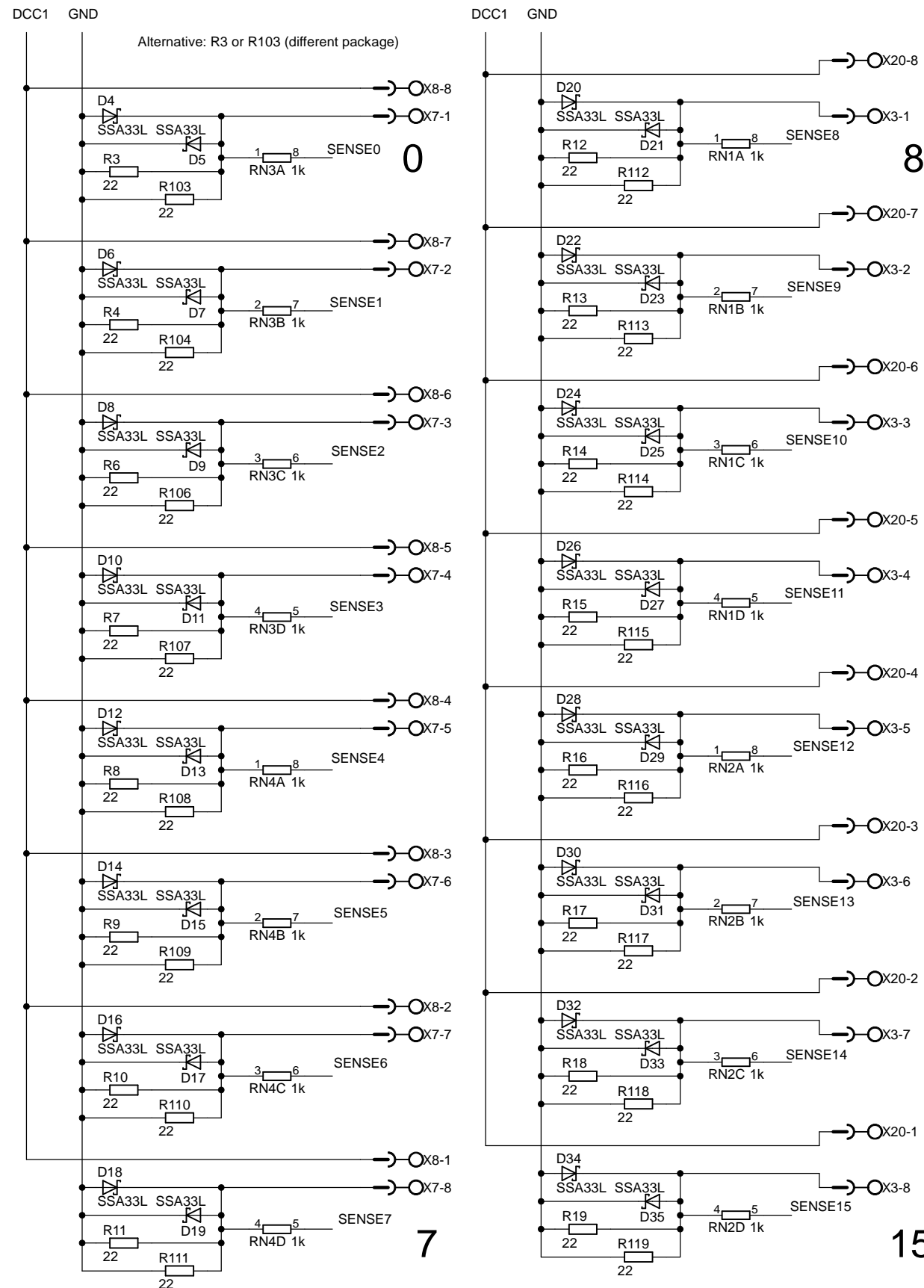
13.08.2013 Added L4 as alternative, C58 now 22u
07.08.2013 Removed R38 R59
07.08.2013 Changed Polyfuse and Diode in Xpressnet/BiDiB
V1.8: 07.08.2013 changed Power_In Net
04.08.2013 R57, R58, R100; added SJ57, SJ58, SJ100
19.07.2013 C24 moved (shorts on manual solder)
19.02.2013 R27 fitted (SJ closed)
19.07.2012 added R95, not fitted
10.07.2012 added D44, D45: SM712, not fitted
V1.6: 28.01.2012 removed adum1100
V1.5: 15.08.2011 added ADUM1201
V1.4: 24.11.2010 added BiDiB support
V1.3: 07.11.2010 added Optocoupler for DCC_ACK
V1.2: 03.10.2010 added R103-R119
V1.2: 29.09.2010: added ISOURCE + ADR380
V1.2: 11.09.2010: changed PDI connector
V1.1: 11.07.2010: added CLK and DATOUT
V1.1: 15.07.2010: added REVFRS control

ENTWICKLER: Kufer	DATEINAME: BiDiB_GBM_Boost_1.8
ZEICHNER:	Last mod: nicht gespeichert!
AUFTR.-NR.:	
GER.-NR.:	zu GERÄT: OpenDCC
	Blatt: 1/4

warning: net name connections IC31-IC31A

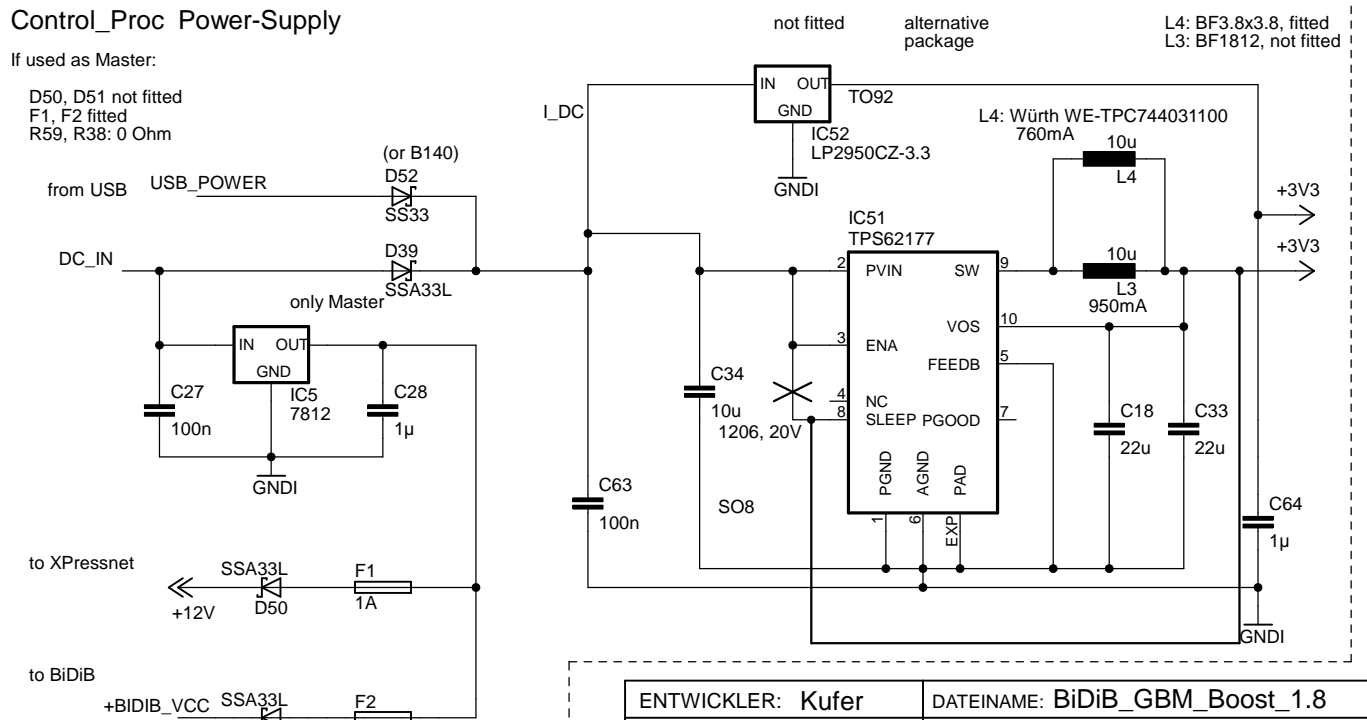
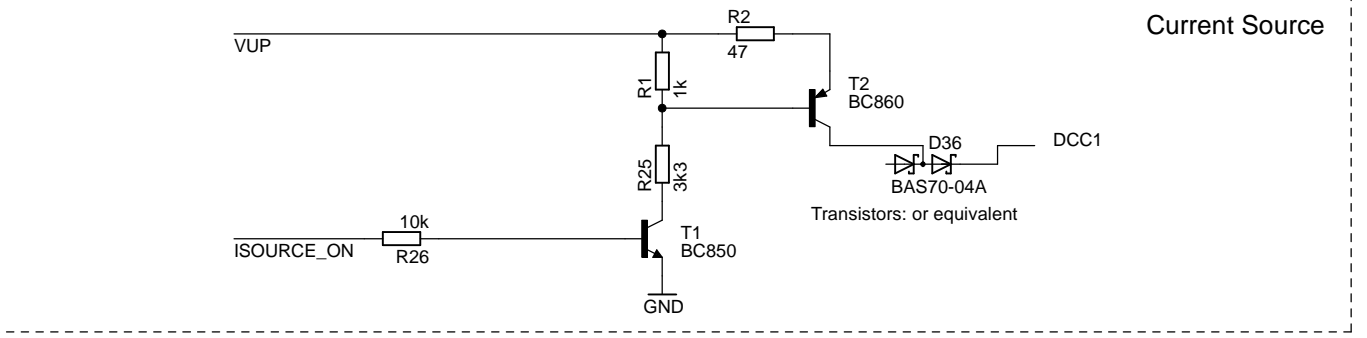
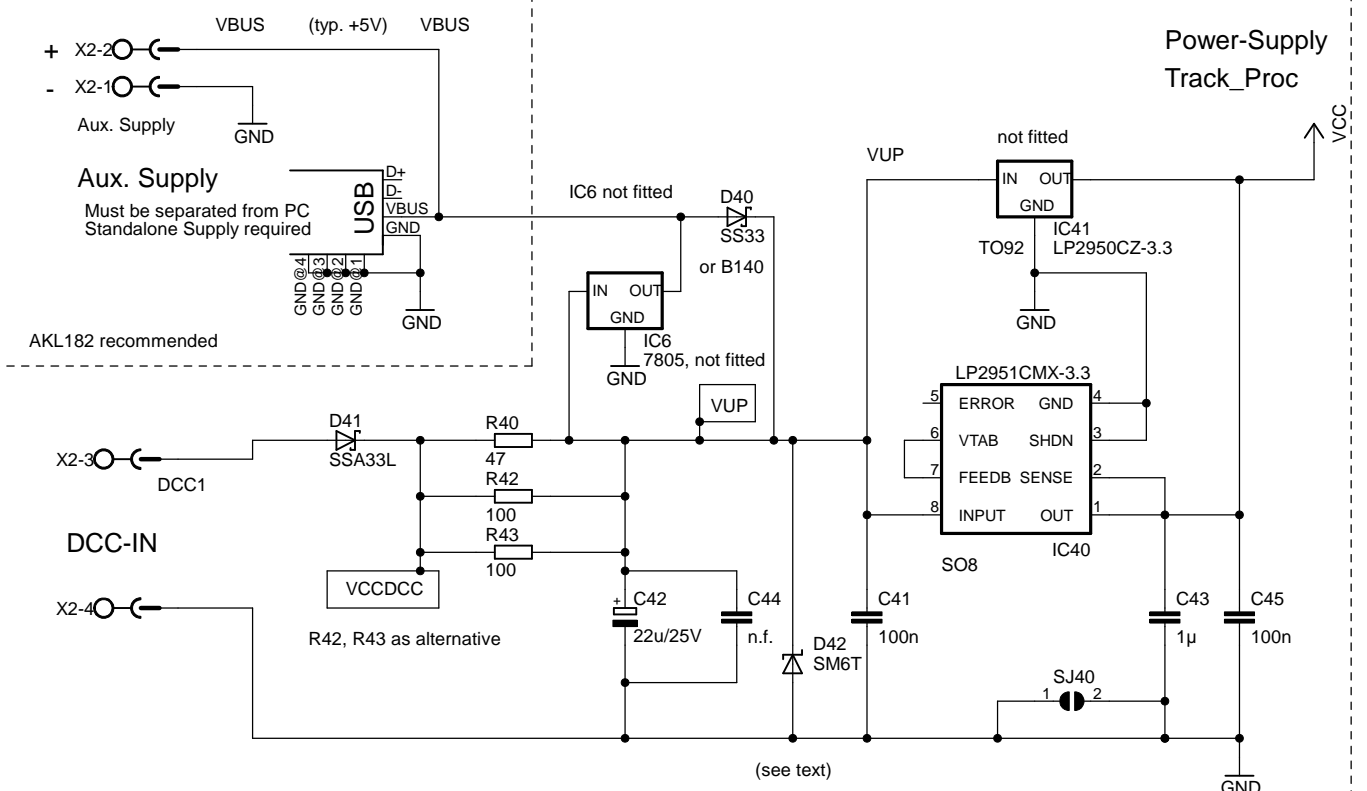
Track, Sensors, Power

Note: for railcom compliance 5.6 ohms is required



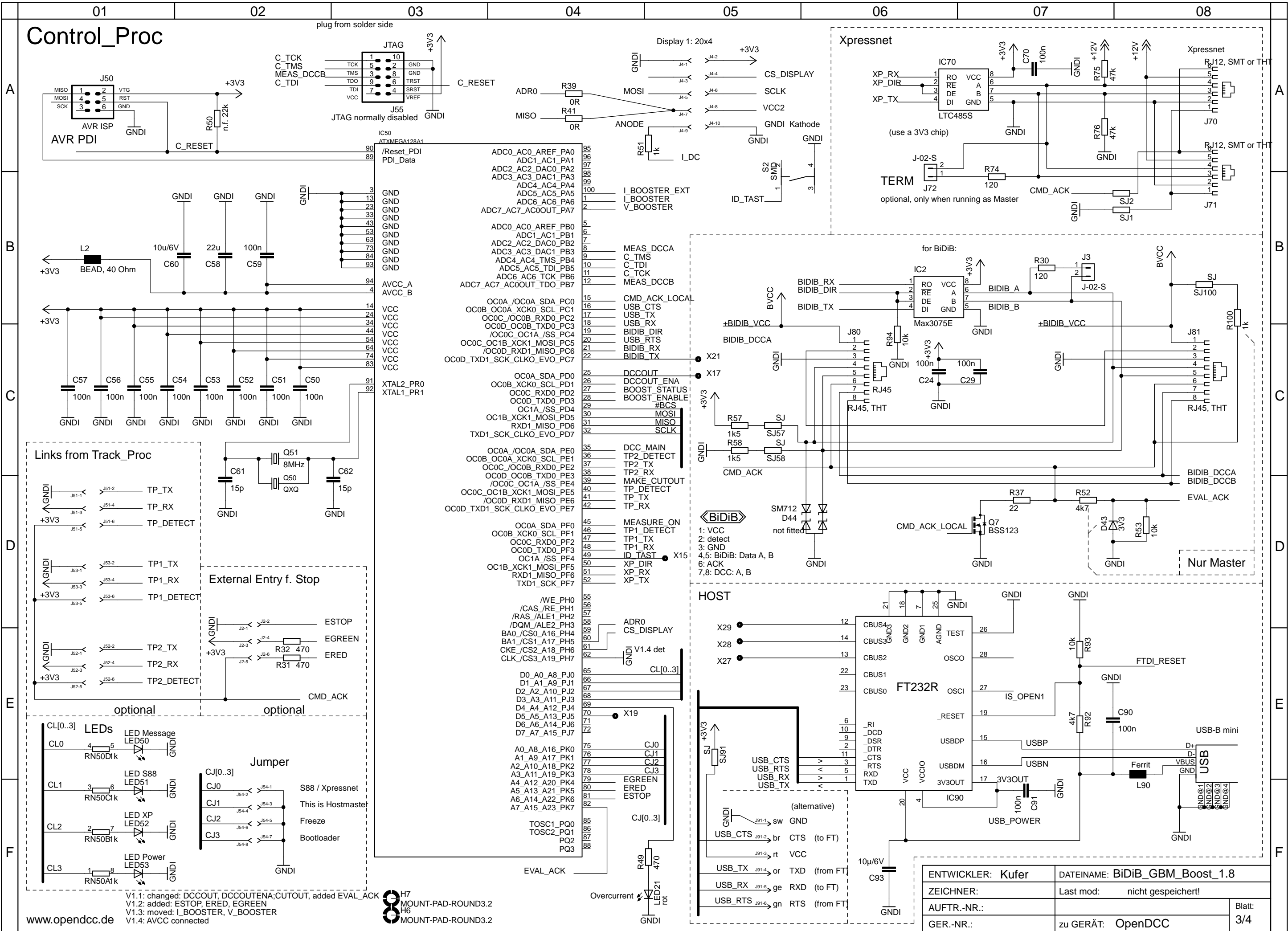
use only SMD, THT-Resistors are not fitted

V1.6: 29.01.2012 swapped connectors to RIA Plug



ENTWICKLER: Kufer	DATEINAME: BiDiB_GBM_Boost_1.8	
ZEICHNER:	Last mod: nicht gespeichert!	
AUFTR.-NR.:	Blatt: 2/4	
GER.-NR.:	zu GERÄT: OpenDCC	

Control_Proc



V1.1: changed: DCCOUT, DCCOUTENA, CUTOUT, added EVAL_ACK
 V1.2: added: ESTOP, ERED, EGREEN
 V1.3: moved: I_BOOSTER, V_BOOSTER
 V1.4: AVCC connected

H7 MOUNT-PAD-ROUND3.2
 H6 MOUNT-PAD-ROUND3.2

ENTWICKLER: Kufer	DATEINAME: BiDiB_GBM_Boost_1.8
ZEICHNER:	Last mod: nicht gespeichert!
AUFTR.-NR.:	
GER.-NR.:	zu GERÄT: OpenDCC
	Blatt: 3/4

