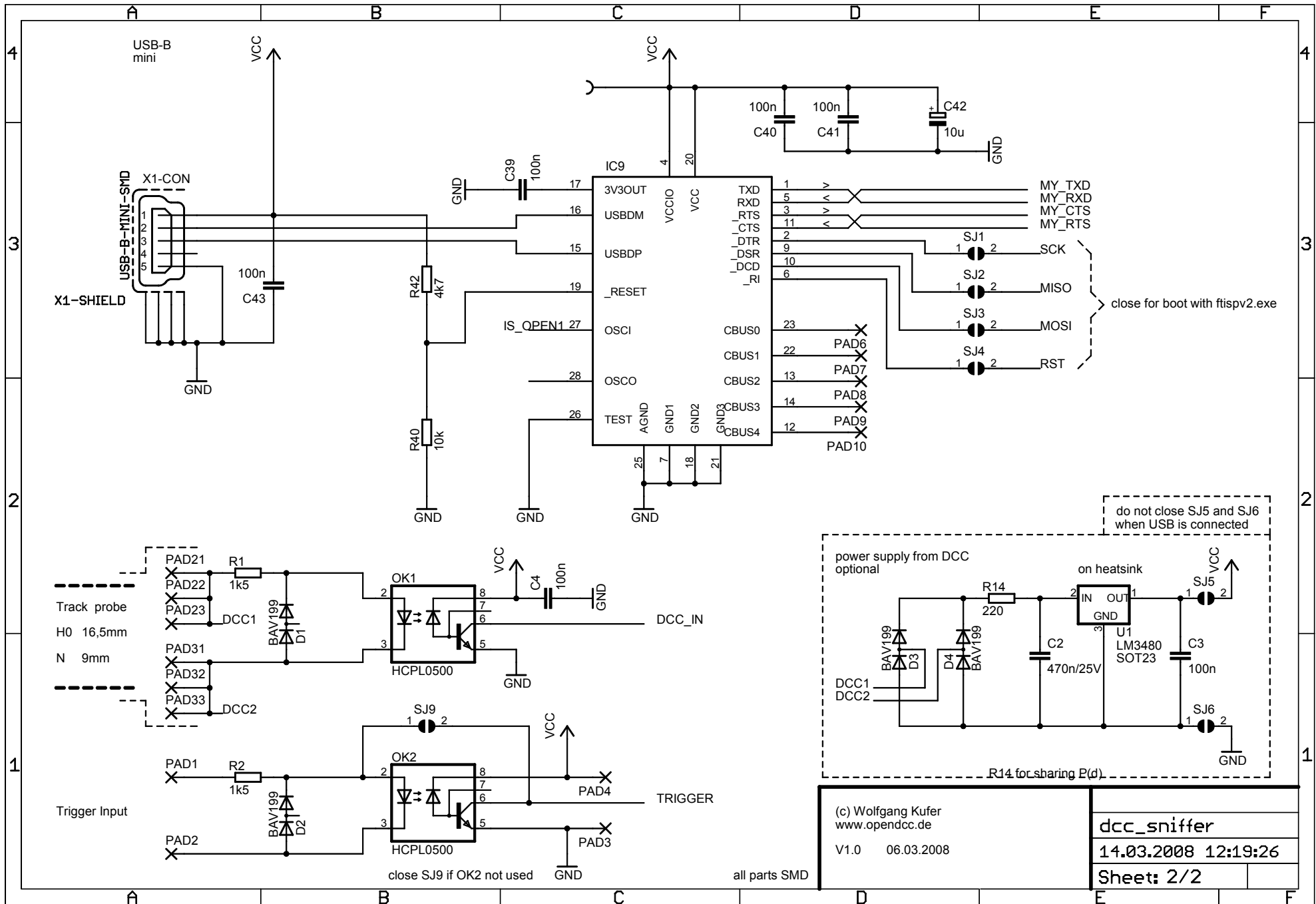


(c) Wolfgang Kufer  
 www.opendcc.de  
 V1.0 05.03.2008

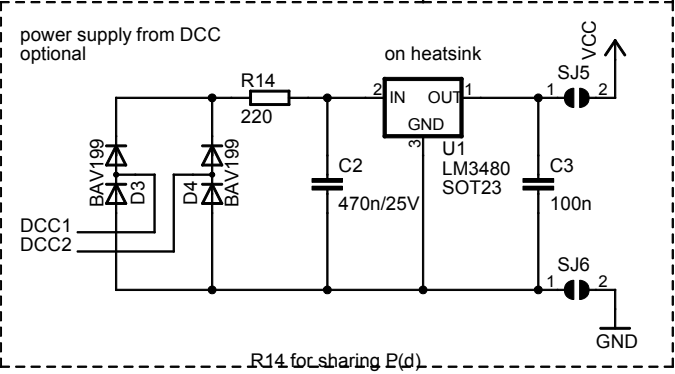
dcc\_sniffer  
 14.03.2008 12:19:26  
 Sheet: 1/2

uP: Atmega8515 or Atmega162



close for boot with ftispv2.exe

do not close SJ5 and SJ6 when USB is connected



R14 for sharing P(d)

(c) Wolfgang Kufer  
www.opendcc.de  
V1.0 06.03.2008

<b>dcc_sniffer</b>	
14.03.2008 12:19:26	
Sheet: 2/2	

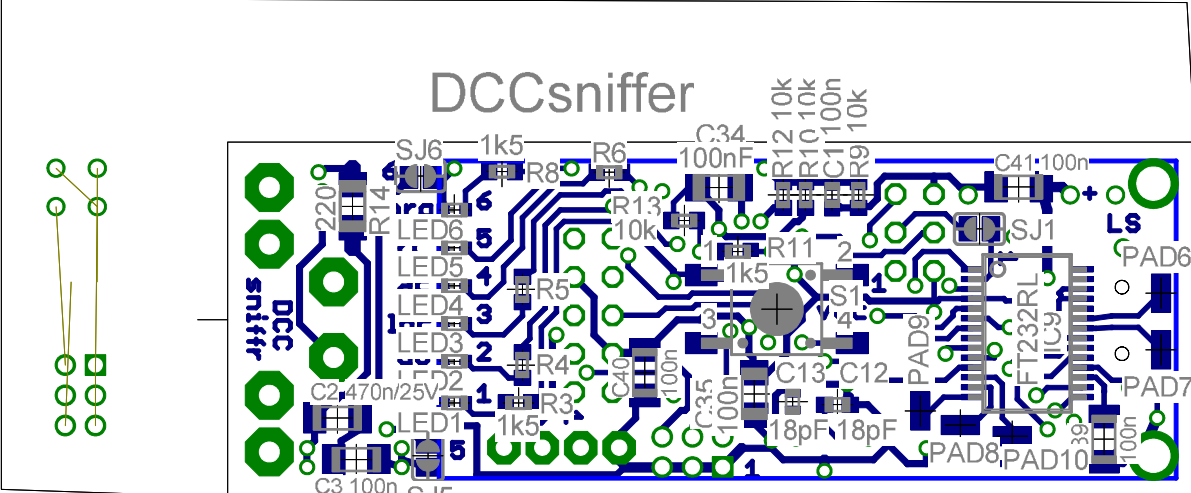
all parts SMD

close SJ9 if OK2 not used

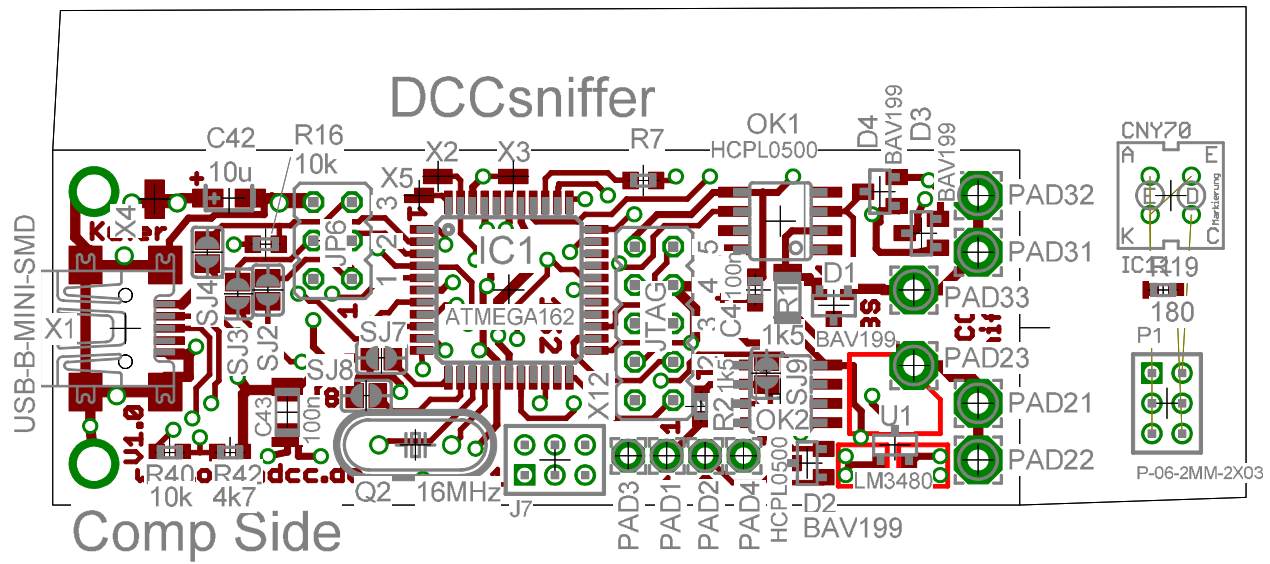
Trigger Input

Track probe  
H0 16,5mm  
N 9mm

# DCCsniffer



Solder Side



Comp Side

# DCCsniffer

