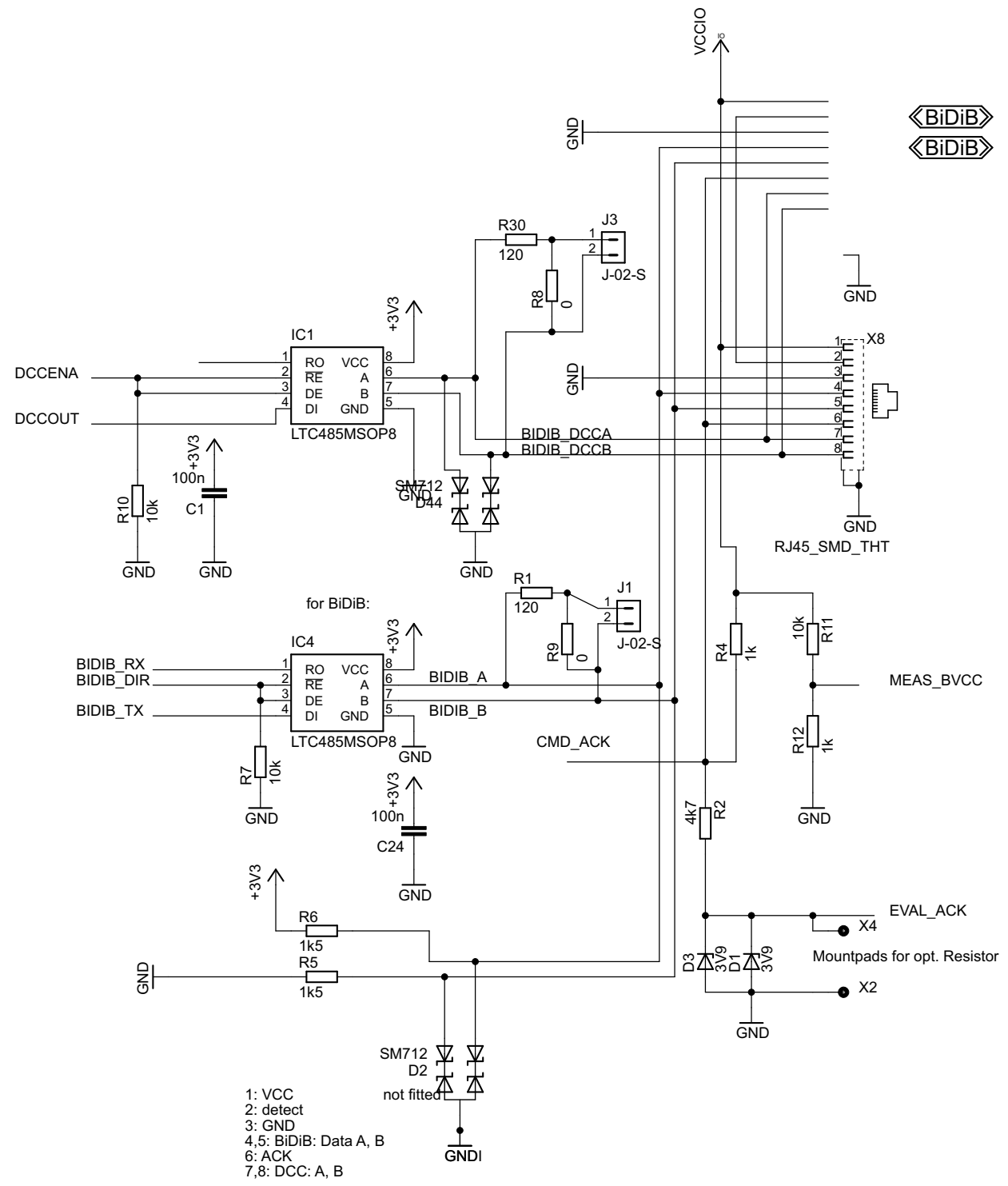


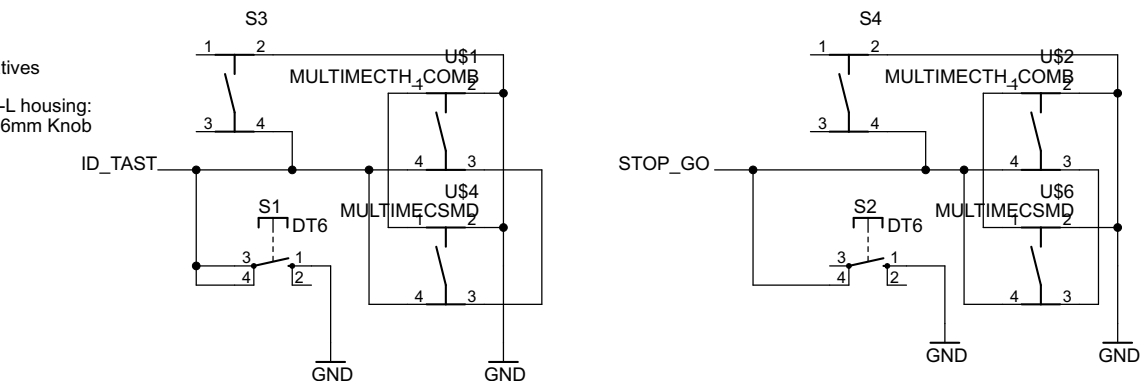
BiDiB-IF2

BiDiB

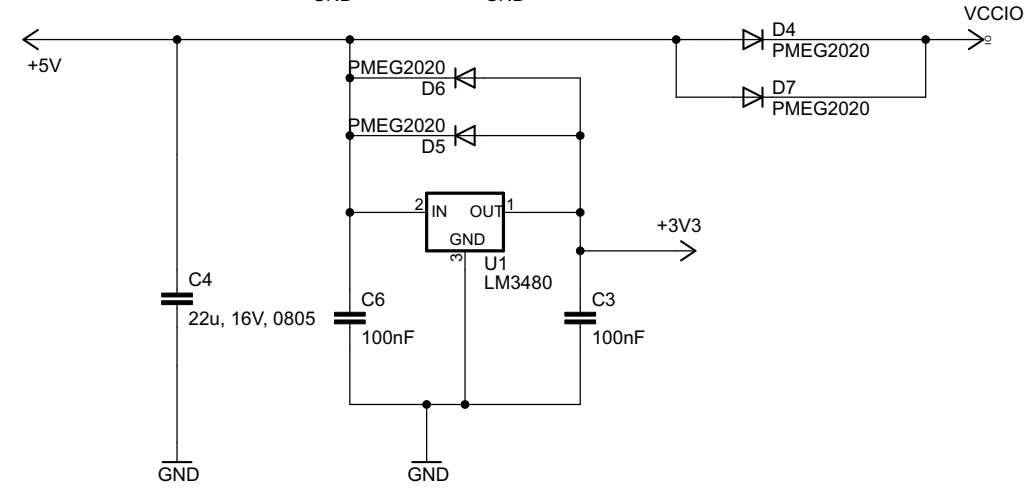


Taster

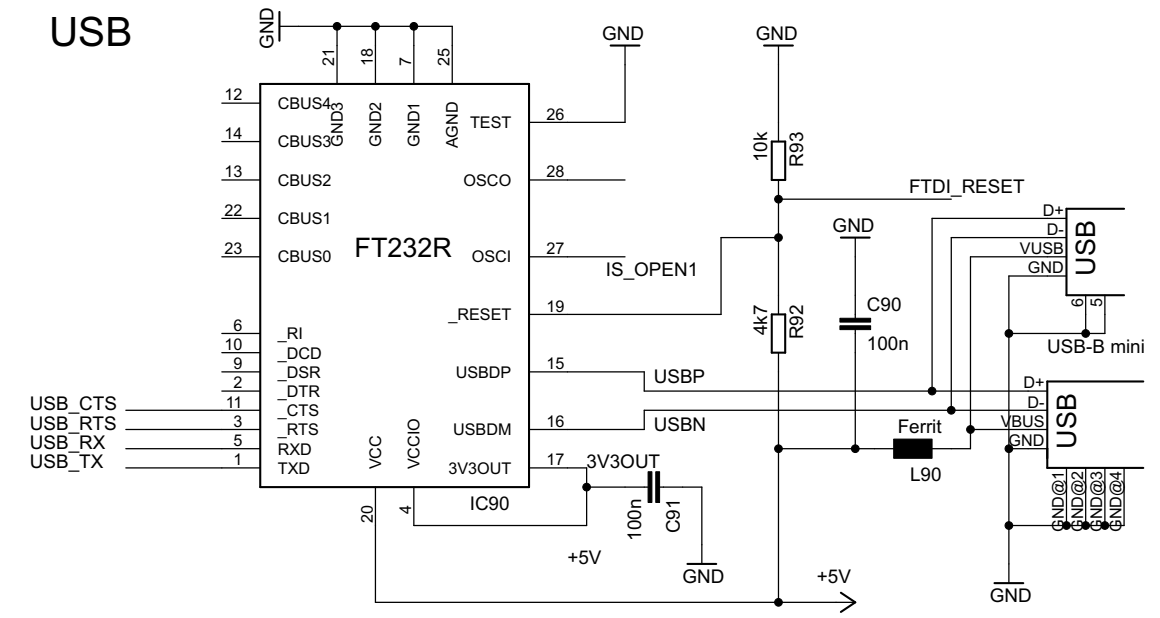
different alternatives
for pactec CNR-L housing:
use MEC and 16mm Knob



Power



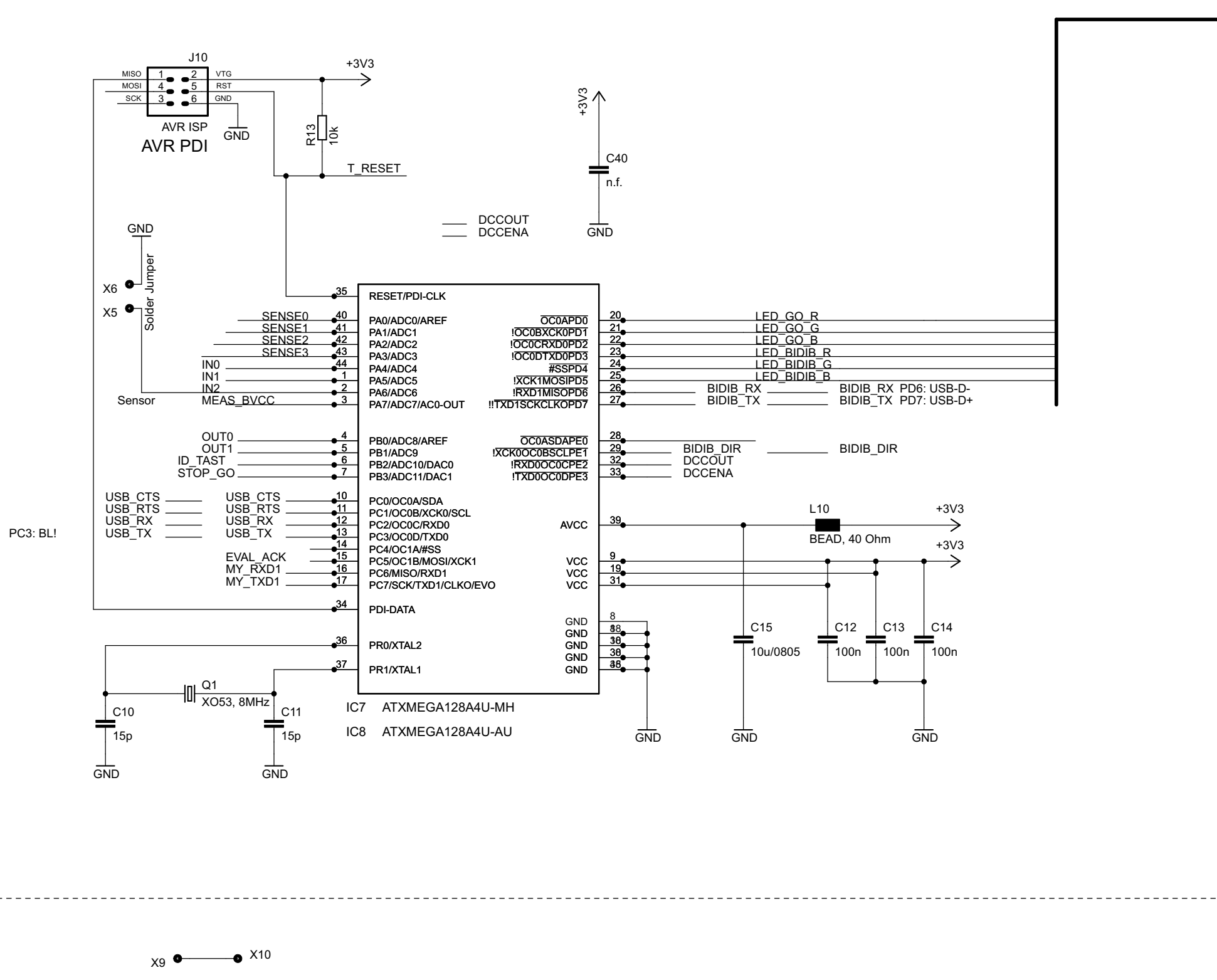
USB



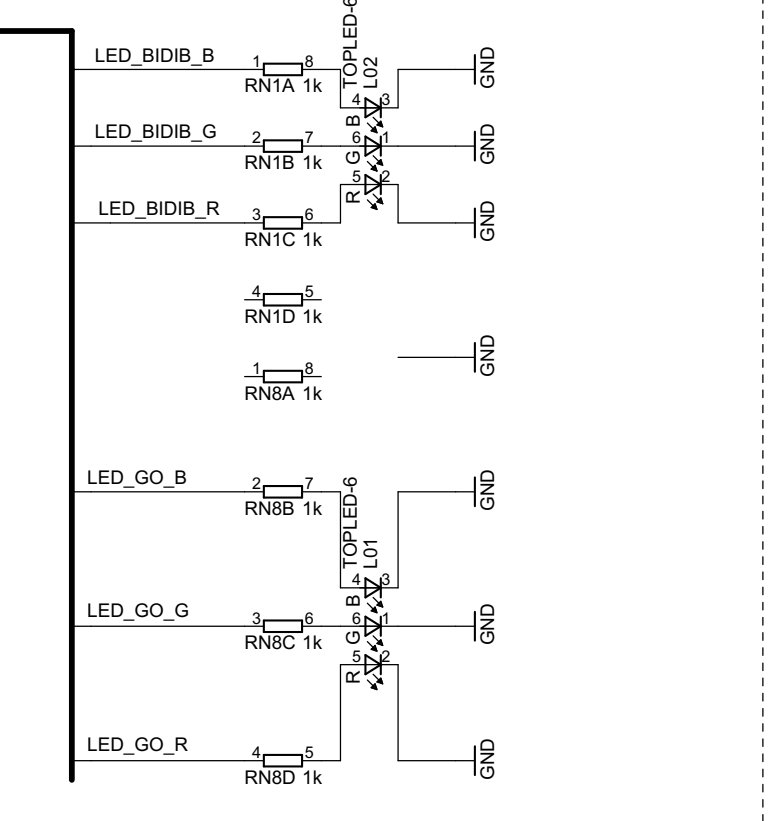
V1.2 2016-05-02 Changed LED to Osram LTRB R8SF

BiDiB-IF2

Prozessor



Status LEDs



FTDI DEBUG PORT (optional)

