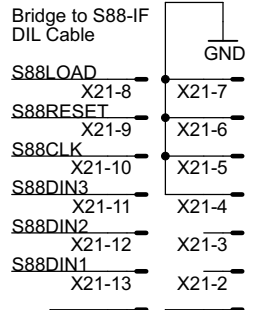


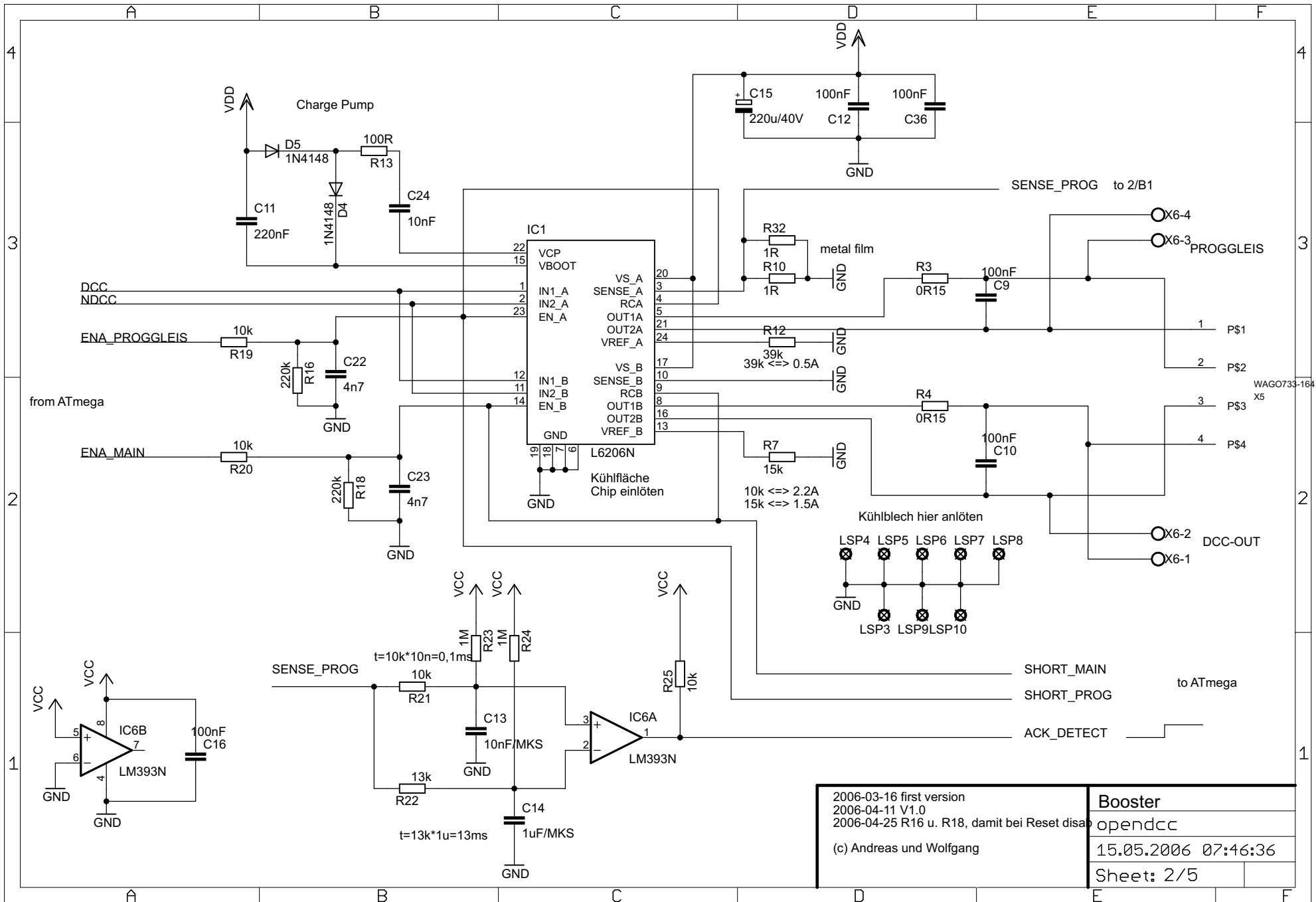
see at www.lancos.com



Mode:	IBOX	DMX	S88	td.
JP1		X		X
JP2			X	X

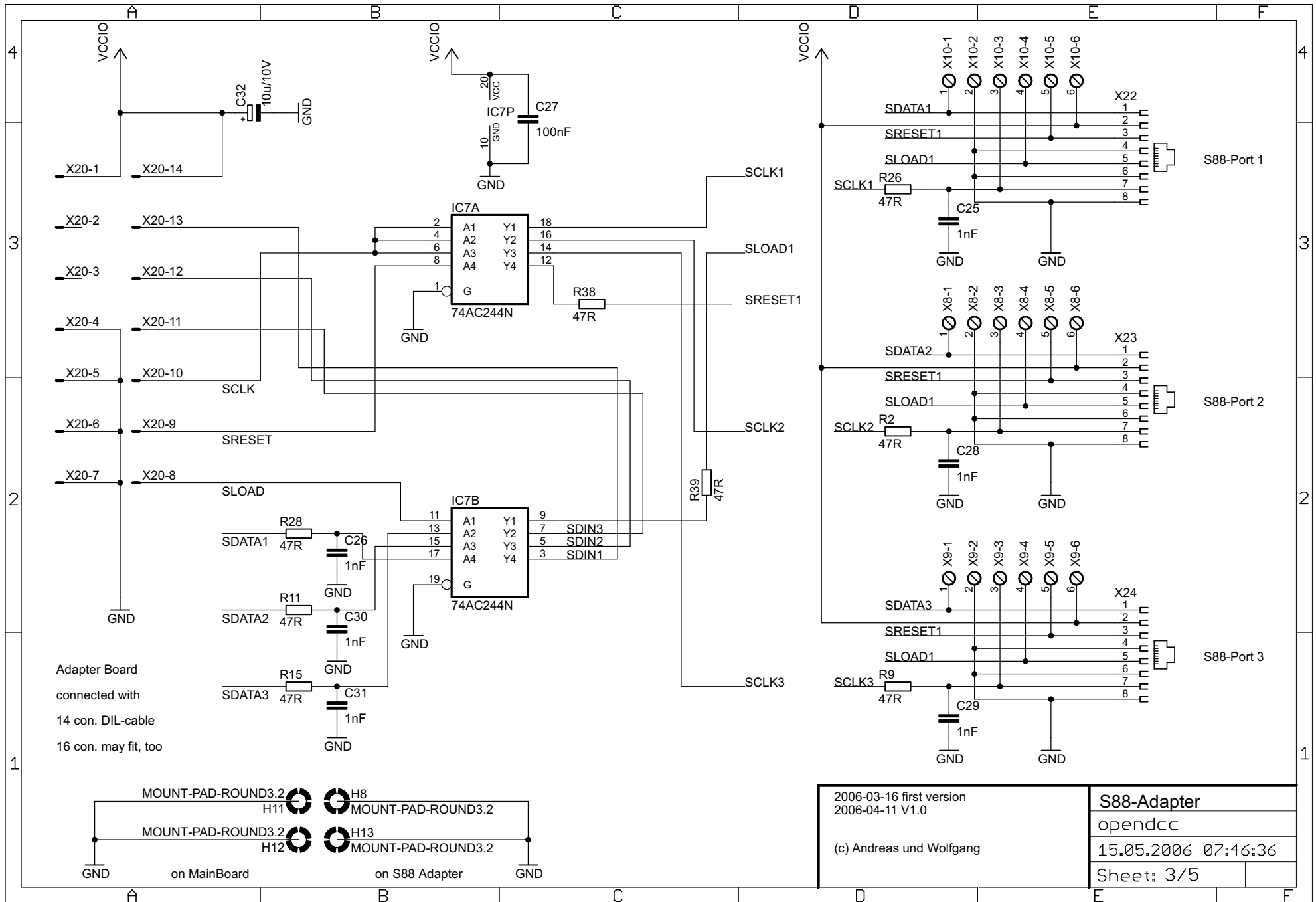
2006-04-11 V1.0
 2006-04-16 added CTS, RTS; USB-Support
 2006-04-23 V1.2 FT232RL Chip
 2006-04-25 Added ISP and Resetchip
 2006-05-15 Change C4-C5 -> 18pF
 (c) Andreas Lang und Wolfgang Kufer

Prozessor
 opendcc
 15.05.2006 07:46:36
 Sheet: 1/5

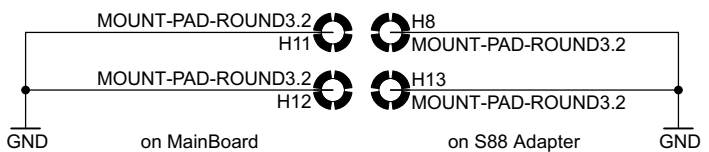


2006-03-16 first version
 2006-04-11 V1.0
 2006-04-25 R16 u. R18, damit bei Reset disa
 (c) Andreas und Wolfgang

Booster
opendcc
15.05.2006 07:46:36
Sheet: 2/5



Adapter Board
connected with
14 con. DIL-cable
16 con. may fit, too



2006-03-16 first version 2006-04-11 V1.0	S88-Adapter
(c) Andreas und Wolfgang	opendcc
	15.05.2006 07:46:36
	Sheet: 3/5

